

Model: CBES30T / CBES30FD

Electric Counterbalance Stacker

Capacity: 3,000 lbs

STAXX

STAXX™ Light and Medium Duty Electric Counterbalance Stackers are durable, innovative, and economical material handling solutions.

Standard Features

- ✘ STAXX designed Electric Power Steering (EPS)
- ✘ 24 V electrical system, AC drive motor and DC lifting motor with Curtis 1230 controller
- ✘ Polyurethane wheels
- ✘ Battery discharge indicator with hour meter
- ✘ Key switch to control user access
- ✘ Forks can be adjusted up to 35" wide

Safety

- ✘ Emergency Reversing Button
- ✘ Automatic slow down technology for sharp corner turns
- ✘ Electromagnetic braking initiated by the emergency stop button acts on the drive motor proportional to the load carried
- ✘ Floating drive unit design helps to maintain traction and prevent wheel slip
- ✘ Increased visibility with innovative design on third stage mast roller

Ergonomics

- ✘ Tiller head designed for maximum operator comfort and control
- ✘ Controls positioned to allow either hand operation



www.hmhservices.com

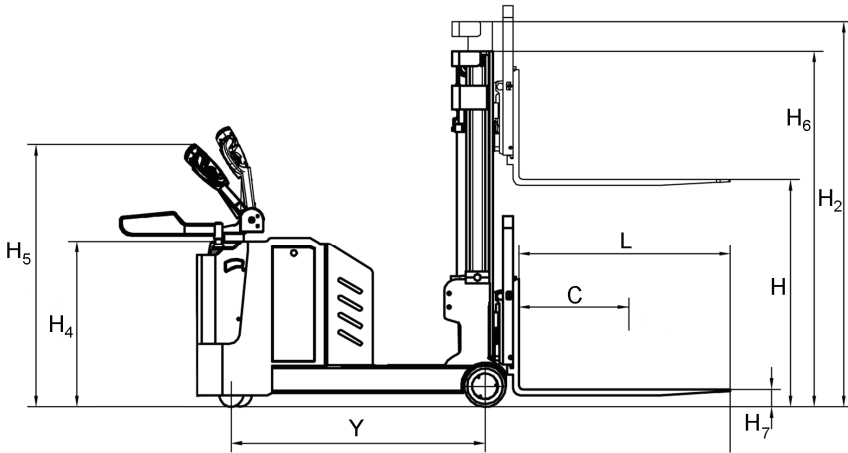
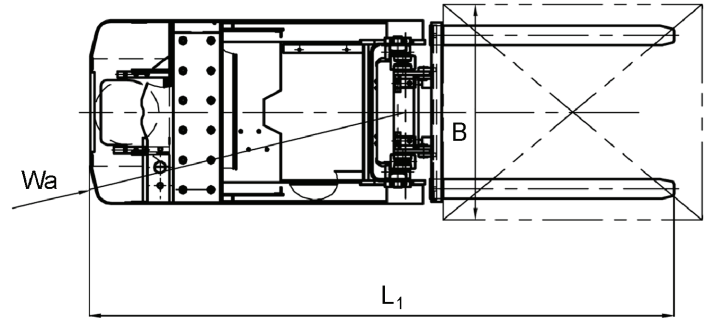
call 724-696-2365

Information and specifications provided are based on product design at the time of publication are subject to change without notice. 06/17

Model: CBES30T / CBES30FD
Electric Counterbalance Stacker



MODEL SPECIFICATIONS	CBES30T	CBES30FD
Mast Type	Triplex & Freelift	Duplex & Freelift
Capacity	3000 lb	
C Load Center	20"	
Operator Type	Rider	
H Lifting Height	177"	130"
H ₇ Lowered Height of Fork	3"	3"
Overall Fork Width (adjustable)	8" - 35"	
L Standard Fork Length	42"	
Fork Width	4"	
Wa Minimum Turning Radius	60"	
Right Angle Stacking (40" x 48" pallet):	127"	
Minimum Ground Clearance	2"	
Gradeability (full load / no load)	5% / 7%	



MODEL SPECIFICATIONS	CBES30T	CBES30FD
Service Weight without Battery	4023 lbs	3814 lbs
Service Weight with Battery	4486 lbs	4277 lbs

L ₁ Overall Length	112" with forks	
B Overall Width	38"	
H ₅ Height of Tiller Arm in Drive Position (min/max)	41" - 47"	
Rear Body Length	68.5"	
Rear Body Width	33.5"	
H ₄ Rear Body Height	34"	
H ₂ Mast Extend Height	215"	166"
H ₆ Mast Lower Height	81.5"	87.5"
Y Wheel Base	50"	
Voltage	24V	
Battery Capacity / Type	280 Ah	
Maximum Battery Box Size (L x W x H)	31" x 8" x 23"	
Controller	Curtis 1230-2402	

DURABLE. INNOVATIVE. ECONOMICAL.



www.hmhservices.com
call 724-696-2365

Information and specifications provided are based on product design at the time of publication are subject to change without notice. 06/17