

## Model: WP45M

Electric Pallet Truck

Capacity: 4,500 lbs

# STAXX

**STAXX™ Light and Medium Duty Electric Pallet Trucks are the durable, innovative and economical material handling solution.**

### Standard Features

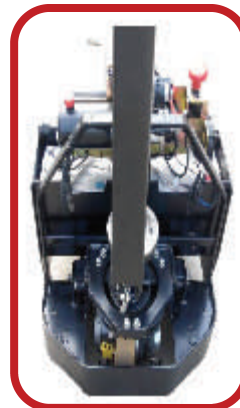
- ✘ AC vertical driving motor
- ✘ 24 V 80 Ah battery
- ✘ Low voltage alarm
- ✘ Sleep model function for power conservation
- ✘ Built-in charger designed for reliable operation
- ✘ Compact structure and convenient layout provide ease of operation

### Safety

- ✘ High-strength frame designed for tough pallet handling tasks and maximized durability
- ✘ Balance wheels provide steadiness during operation
- ✘ Electromagnetic parking brake
- ✘ Regenerate service brake

### Serviceability

- ✘ Convenient dismantling procedures for quicker service
- ✘ Self-diagnostics allow for a direct fault code readout during operation and startup, eliminating the need for external fault code analysis



[www.hmhservices.com](http://www.hmhservices.com)

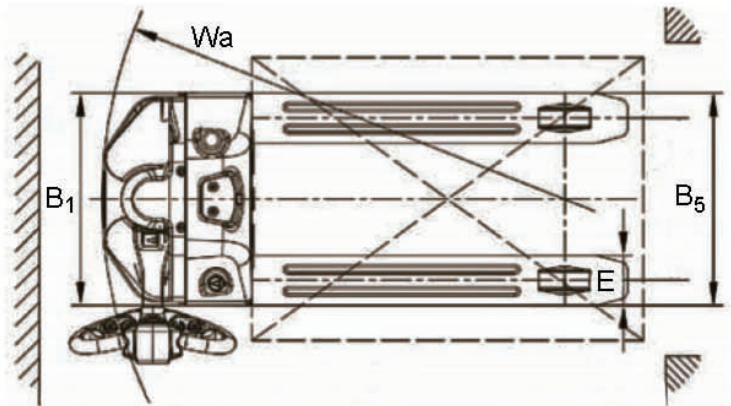
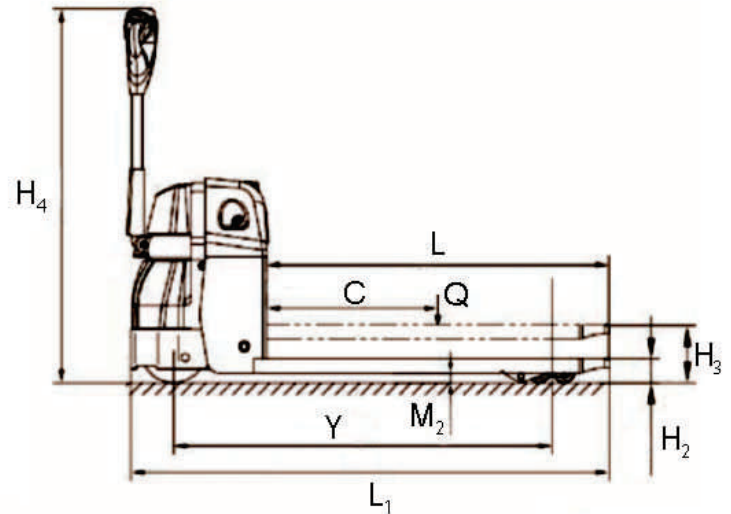
call 724-696-2365

Information and specifications provided are based on product design at the time of publication and are subject to change without notice. 06/17

**Model: WP45M**  
Electric Pallet Truck



MODEL SPECIFICATIONS	WP45M
Q Capacity	4500 lb
C Load Center	24"
Operator Type	Walkie
H <sub>3</sub> Maximum Fork Lifting Height	8"
H <sub>2</sub> Lowered Height of Fork	3.3"
H <sub>4</sub> Height of Tiller Arm in Drive Position (min/max)	30.9" / 49.2"
M <sub>2</sub> Ground Clearance	1.4"
B <sub>5</sub> Outside Fork Width	26.8"
L Fork Length	45.3"
Fork Thickness	2"
E Fork Width	6.3"
L <sub>1</sub> Overall Length	65"
B <sub>1</sub> Overall Width	27"
Wa Outer Turning Radius	56.3"
Y Wheel Base	52"
Travel Speed (full load / no load)	3.3 / 3.6 mph
Lifting Speed (full load / no load)	2.0 / 2.4 in/s
Lowering Speed (full load / no load)	2.0 / 2.4 in/s
Maximum Gradeability (full load / no load)	8% / 16%
Service Weight with Battery	705 lb
Battery Voltage	24 V
Battery Capacity (5h)	80 Ah
Maximum Battery Box Size (LxWxH)	25.6" x 7.9" x 21.1"
Controller	PG
Service Brake	Regenerate
Parking Brake	Electromagnetic



TIRE SPECIFICATIONS	WP45M
Tire Type	PU
Tire Size, Drive Wheels	9.0" x 2.8"
Tire Size, Load Wheels	3.1" x 2.4"
Tire Size, Balance Wheels	3.3" x 1.9"
Wheels, Numbers (x = Drive Wheels)	1x+1/4

**DURABLE. INNOVATIVE. ECONOMICAL.**



[www.hmhservices.com](http://www.hmhservices.com)  
call 724-696-2365

Information and specifications provided are based on product design at the time of publication and are subject to change without notice. 06/17