

Model: CPD22
3 Wheel Electric Forklift
Capacity: 2,200 lbs



Make Your Job Easier

LIFTSTAR™ engineered with a lightweight, compact design that enhances mobility in confined spaces and congested areas.

Standard Features

- ★ Sit down rider
- ★ 42" standard pallet forks
- ★ Lifting height of 118"
- ★ 35" wide
- ★ 82" lowered height
- ★ Duplex with Freelif
- ★ Sideshifter
- ★ Tilting forks
- ★ German ABM AC drive motor and AC steering motor
 - ★ Low noise
 - ★ High efficiency
 - ★ Offers increases in smoothness of operation and in precise control
- ★ German ABM transmission
 - ★ Reliable quality
 - ★ High efficiency
- ★ 24 V 540 Ah battery
- ★ 47" turning radius ideal for entering an elevator and other very narrow working conditions
- ★ Rear wheel motor drive design

Safety

- ★ High stability
- ★ Solid rubber tires offer:
 - ★ Wear resistance
 - ★ Slip resistance
 - ★ Oxidation resistance

Serviceability

- ★ Battery located at the bottom of the machine's chassis
- ★ LCD dashboard display can be used for easy maintenance including fault diagnosis
- ★ Intelligent charger



www.hmhservices.com
call 724-696-2365

Information and specifications provided are based on product design at the time of publication are subject to change without notice. 03/17

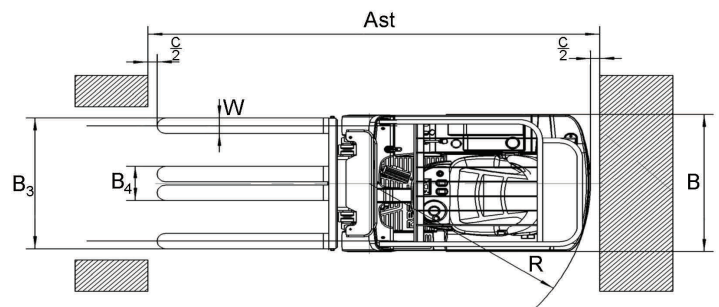
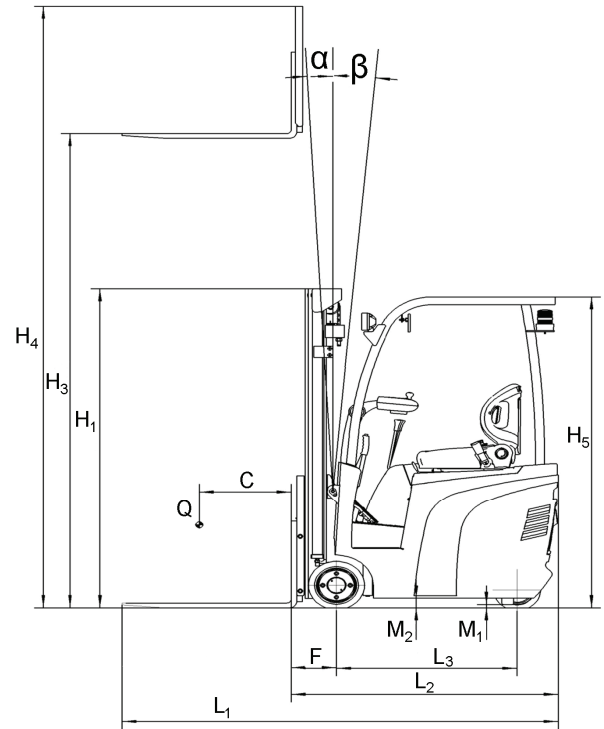
Model: CPD22

3 Wheel Electric Forklift



Make Your Job Easier

MODEL SPECIFICATIONS	CPD22
Q Capacity	2200 lb
C Load Center	24"
Motor Type	AC
H ₃ Lifting Height	118"
Free Lift	50"
α/β Fork Tilting Degree (Forward / Backward)	3° / 5°
M ₁ /M ₂ Ground Clearance (Minimum / Center of Axle)	1.0" / 2.6"
B ₃ /B ₄ Outside Width Between Forks	33" / 8"
Fork Size	42" x 4"
L ₁ Overall Length	101"
B Overall Width	35"
R Minimum Turning Radius	47"
Ast Aisle Width For Pallets 40" x 48"	105"
L ₃ Wheel Base	30"
L ₂ Rear Body	57"
H ₁ Mast Lower Height	82"
H ₄ Mast Extend Height	150"
H ₅ Overhead Guard Height	78"
F Overhang	10"
Minimum Aisle Width	63"
Travel Speed Forward (Full Load / No Load)	4.3 / 5.6 mph
Travel Speed Backward (Full Load / No Load)	3.7 / 3.7 mph
Lifting Speed (Full Load / No Load)	29.5 / 29.5 fpm
Lowering Speed (Full Load / No Load)	31.5 / 39.4 fpm
Gradeability (Full Load / No Load)	6% / 10%
Maximum Tow Force (Full Load / No Load)	2800 / 2750 N
Service Weight with Battery	4967 lb
Axle Capacity with Full Load (Front / Rear)	6391 lb / 1221 lb
Axle Capacity with No Load (Front / Rear)	2218 lb / 2749 lb
Wheels Quantity Front / Rear (X = Driving Wheel)	2/1X
Wheels Type (Front and Rear)	Solid Rubber



DRIVING SYSTEM SPECIFICATIONS	CPD22
Battery Voltage / Capacity	24 V / 540 Ah
Battery Weight	983 lb
Traveling Motor	AC 2.5 kw
Lifting Motor	DC 3 kw
Steering Motor	AC 0.67 kw
Charger	External
Traveling Brake	Hydraulic
Brake Type	Mechanical

DURABLE ★ **INNOVATIVE** ★ **ECONOMICAL**



www.hmhservices.com
call 724-696-2365

Information and specifications provided are based on product design at the time of publication are subject to change without notice. 03/17