

Model: PPT15
Powered Pallet Truck
Capacity: 3,300 lbs

STAXX

STAXX™ Semi-Electric Pallet Trucks are the durable, innovative, and economical material handling solution.

Standard Features

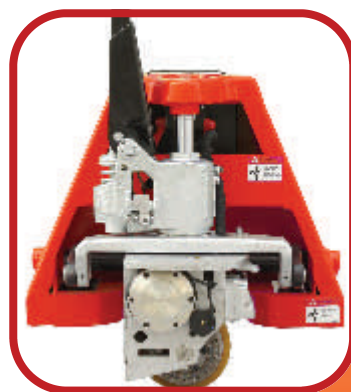
- ✦ DC electric drive unit with manual lift
- ✦ At only 1" longer than a hand pallet truck, the PPT15 remains compact and easily maneuverable for ease of operation
- ✦ Ability to move at speeds of 2.7 mph when loaded and 3.0 mph when unloaded

Safety

- ✦ Solid Polyurethane tires for both driving wheels and single loading wheel allows for smooth, stable movement
- ✦ Comes equipped with an electronic service brake

Battery

- ✦ Battery change takes only 10 seconds
- ✦ Separate charger
- ✦ The fast charge time of 3.5 hours will allow for 130 minutes of non-stop usage with load
- ✦ 24 V 20 Ah battery



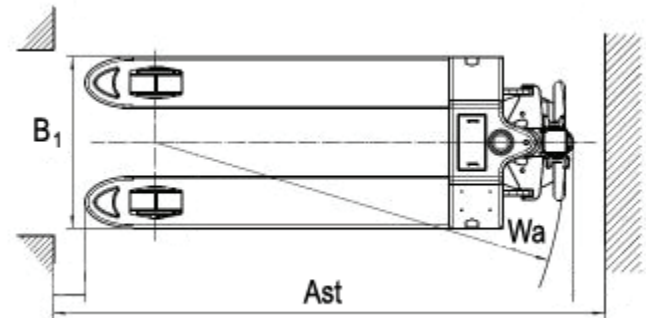
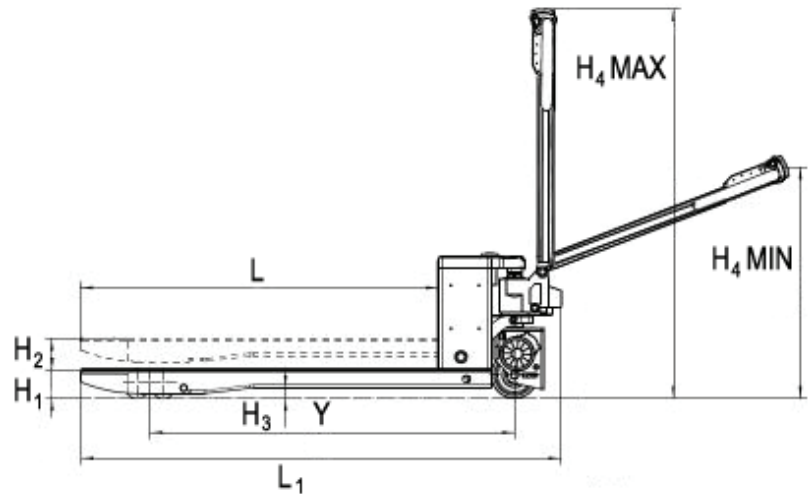
www.hmhservices.com
call 724-696-2365

Information and specifications provided are based on product design at the time of publication and are subject to change without notice. 05/17

Model: PPT15
Powered Pallet Truck



MODEL SPECIFICATIONS	PPT15
Drive Unit	Electric
Operator Type	Walkie
Rated Capacity	3300 lbs
Load Center Distance	24"
Y Wheel Base	49"
Service Weight With Battery	287 lbs
Battery Weight	11 lbs
Wheel Type	Polyurethane
Wheel Size: Driving Wheel (Diameter x Width)	6" x 2"
Wheel Size: Loading Wheels (Diameter x Width)	2.9" x 3.5"
H ₂ Lift Height	8"
H ₄ Height of Drawbar (Minimum / Maximum)	30"/50"
H ₁ Lowered Height	3.3"
L ₁ Overall Length	63"
Length to Face of Forks	15"
B ₁ Overall Width	27"
L Fork Dimensions	2" x 6" x 48"
Width Across Forks	27"
H ₃ Ground Clearance (Center of Wheel Base)	1.2"
Ast Aisle Width for Right Angle Stacking (40" x 48" pallet):	69"
Wa Turning Radius	54"
Travel Speed (Loaded / Unloaded)	2.7 mph / 3.0 mph
Maximum Gradeability (Loaded / Unloaded)	3% / 15%
Service Brake Type	Electronic
Driving Motor Rating S2 60 min	0.45 kw
Maximum Battery Box Size (L x W x H)	6.7" x 3.3" x 8.5"
Battery Voltage/Nominal Capacity K20	24/20 V/Ah
Sound Measure at Driver's Ear	68 dB



DURABLE. INNOVATIVE. ECONOMICAL.



www.hmhservices.com
call 724-696-2365

Information and specifications provided are based on product design at the time of publication are subject to change without notice. 05/17