

## Model: WS22SS

Electric Straddle Stacker

Capacity: 2,200 lbs

# STAXX

STAXX™ Light and Medium Duty Electric Straddle Stackers are the durable, innovative, and economical material handling solutions.

### Standard Features

- ✘ Adjustable straddle legs to handle larger pallets and multiple racking systems
- ✘ 120Ah battery provides longer running time
- ✘ Curtis 1212 controller and handset
- ✘ Polyurethane wheels
- ✘ Low profile mast design
- ✘ Battery discharge indicator
- ✘ Key switch to control user access
- ✘ Available in multiple lifting heights to fit most situations
- ✘ Creep function (turtle mode)

### Safety

- ✘ Emergency Reversing Button

### Ergonomics

- ✘ Tiller head designed for maximum operator comfort and control
- ✘ Controls positioned to allow either hand operation
- ✘ Long handle design is lightweight and allows for easy turning



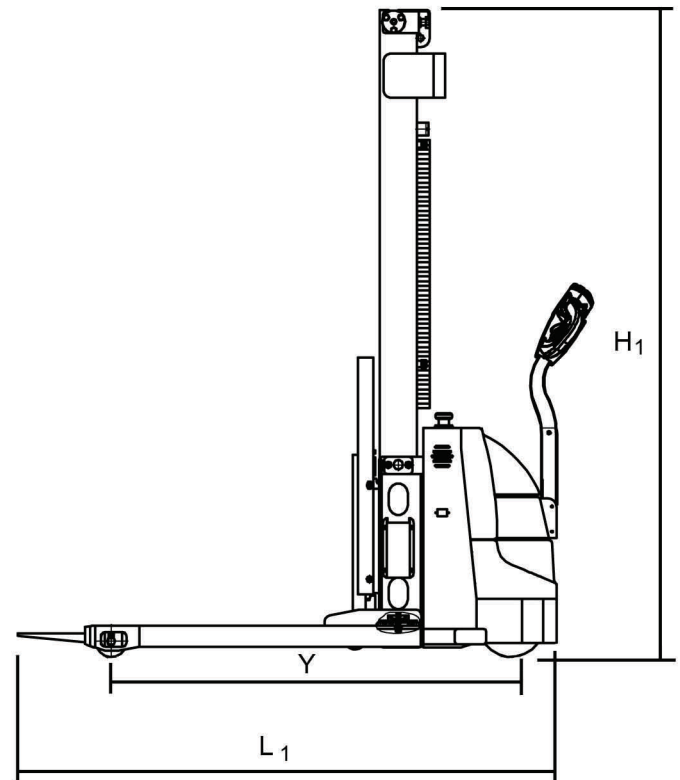
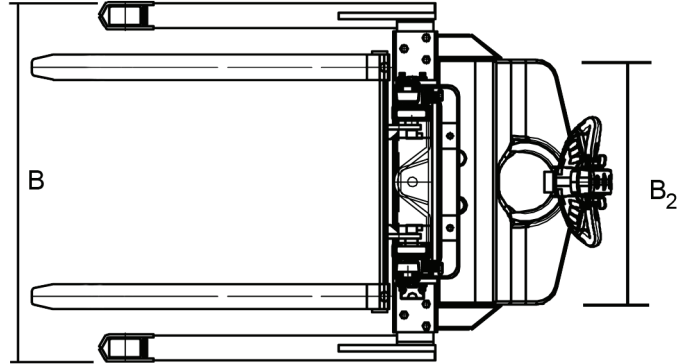
[www.hmhservices.com](http://www.hmhservices.com)  
call 724-696-2365

Information and specifications provided are based on product design at the time of publication and are subject to change without notice. 07/17

**Model: WS22SS**  
Electric Straddle Stacker



MODEL SPECIFICATIONS	WS22SS
Capacity	2200 lb
Load Center	23.64"
Operator Type	Walkie
Wheel Base	48.07"
Fork Length	42"
Standard Fork Width	3.94"
B Straddle Leg OD - Adjustable	44.5" / 48" / 56"
Straddle Leg ID - Adjustable	38.5" / 42" / 50"
Minimum Turning Radius	59"
Outer Width of Fork	Adjustable / max 31"
Clearance	1.5"
Minimum Ground Clearance	2.4"
Travel Speed (full load / no load)	1.55 / 1.86 mph
Lifting Speed (full load / no load)	13.78 / 13.78 fpm
Lowering Speed (full load / no load)	19.68 / 19.68 fpm
Gradeability (full load / no load)	5% / 7%
L <sub>1</sub> Overall Length Including Forks	68"
Mast Extend Height	102.5" / 133" / 152.5" / 164.5"
H <sub>1</sub> Mast Lower Height	83" / 71" / 80" / 86"
Lifting Height	63" / 99" / 118" / 130"
Y Wheel Base	53"
Wheel type	Polyurethane
Wheel Quantity	2 front / 1 drive
Size of Front Wheel	3.07"
Size of Drive Wheel	8.67"
Size of Balance Wheel	4.89"
B <sub>2</sub> Overall Width	32"
Weight	1210 lbs
Voltage	24V
Battery Capacity / Type	120Ah
Controller	Curtis 1212



**DURABLE. INNOVATIVE. ECONOMICAL.**



[www.hmhservices.com](http://www.hmhservices.com)  
call 724-696-2365

Information and specifications provided are based on product design at the time of publication are subject to change without notice. 07/17